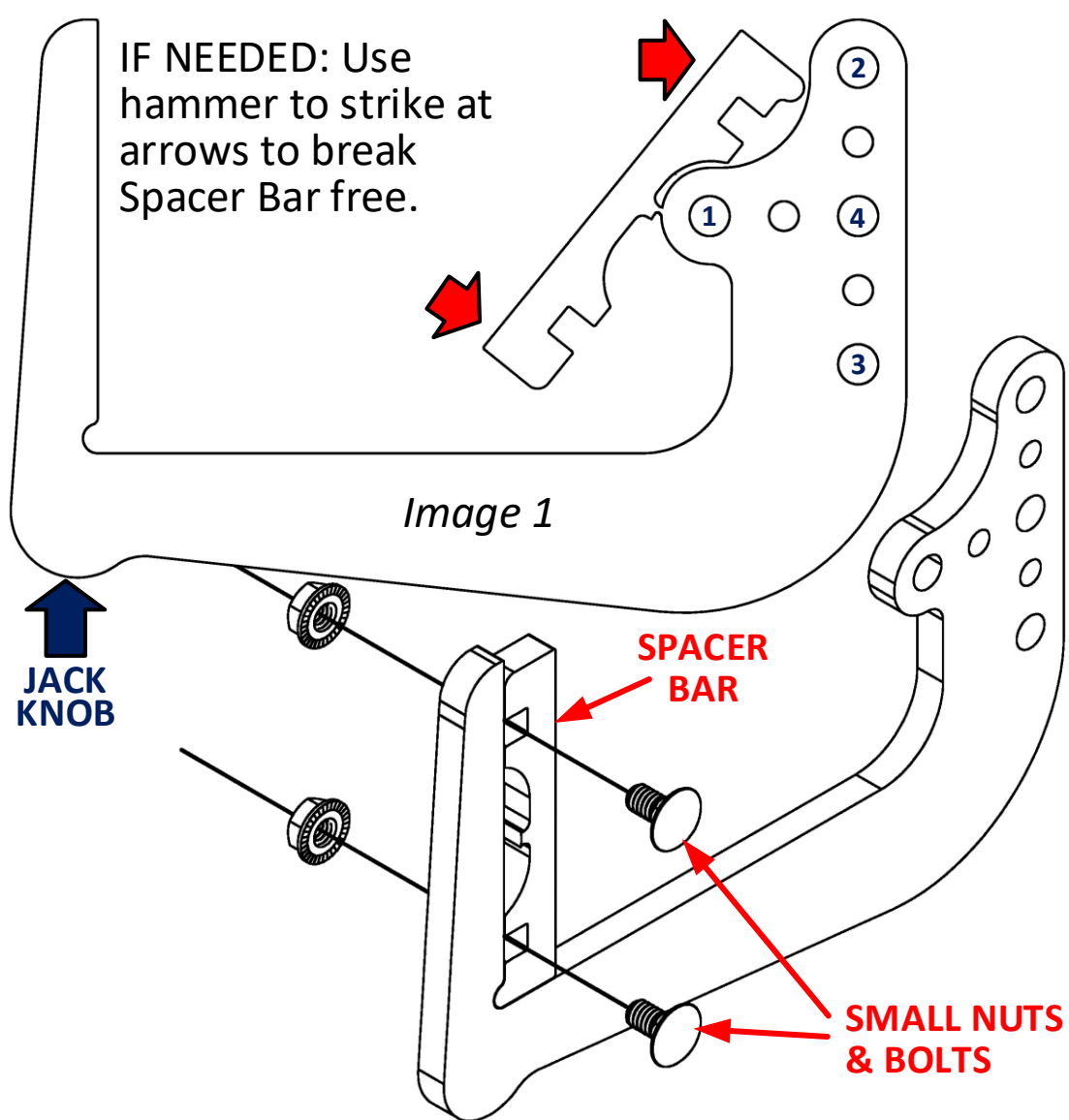
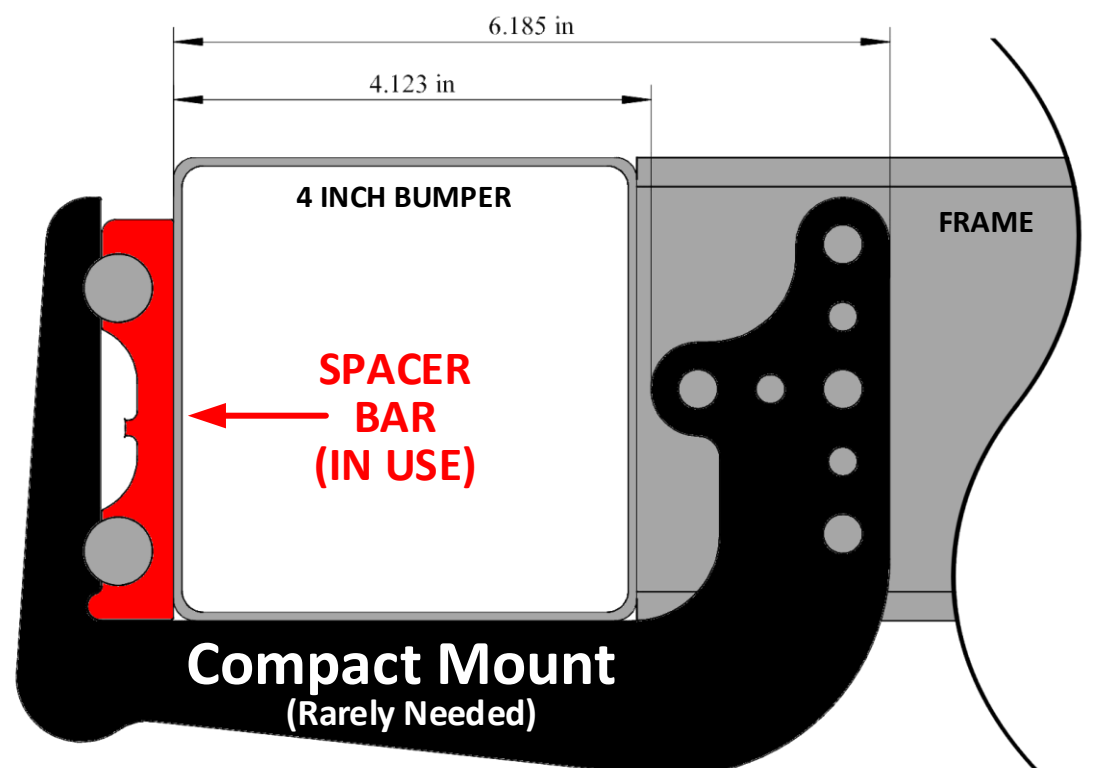
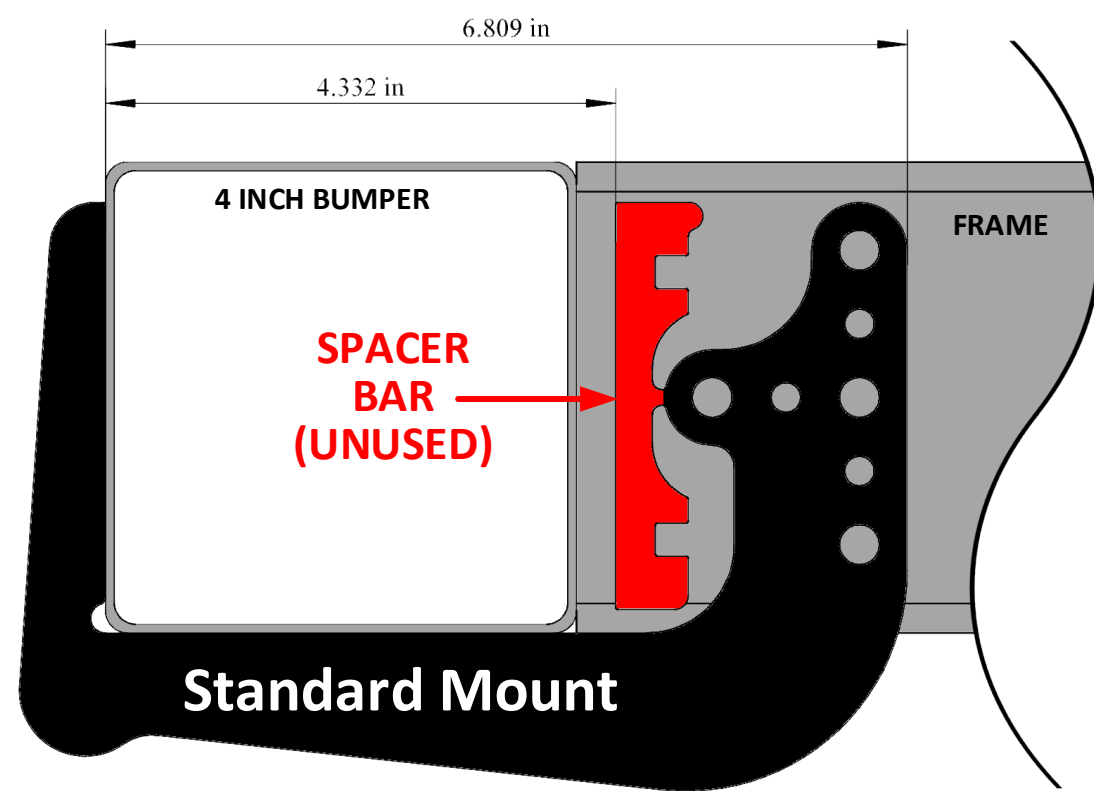
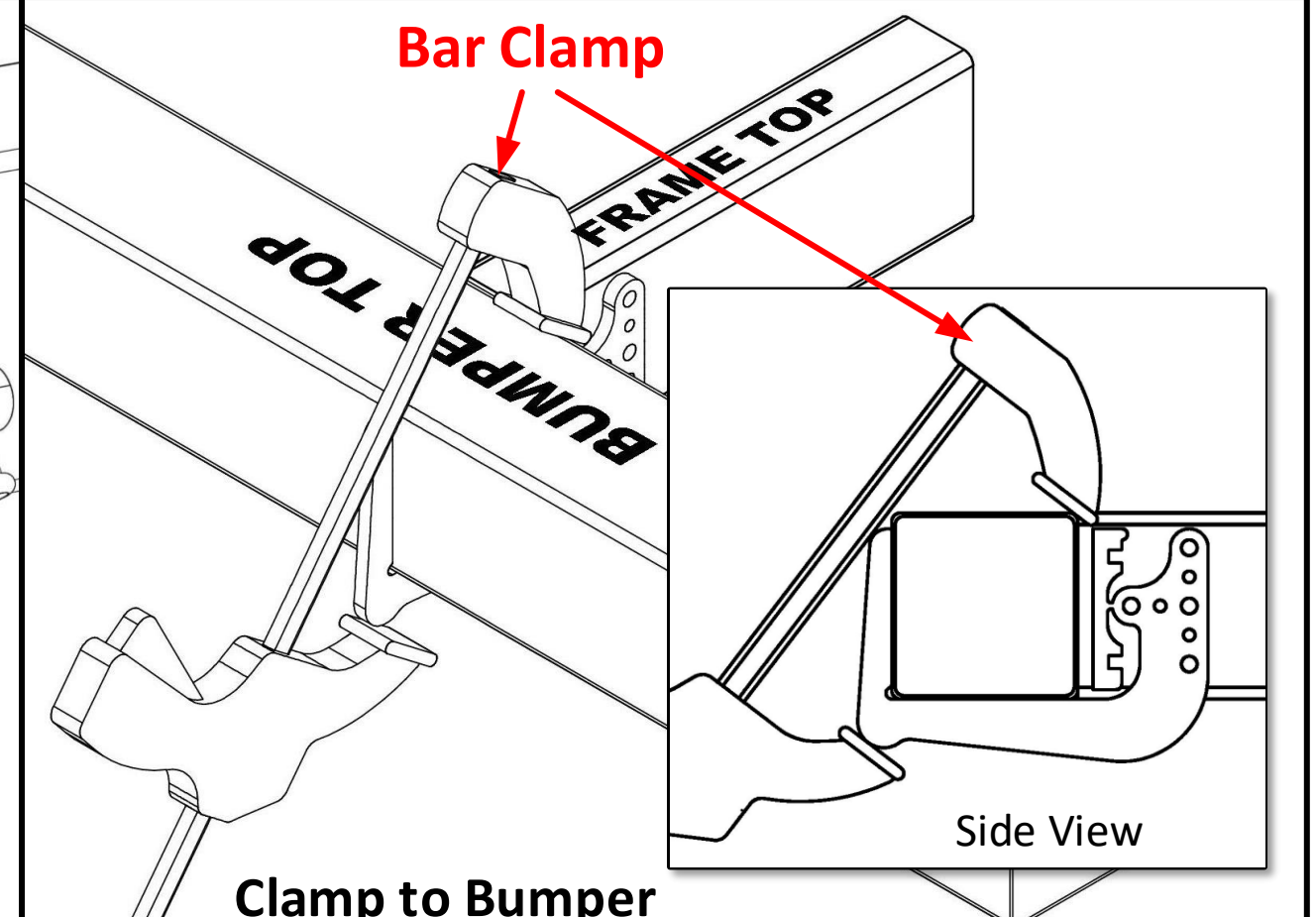
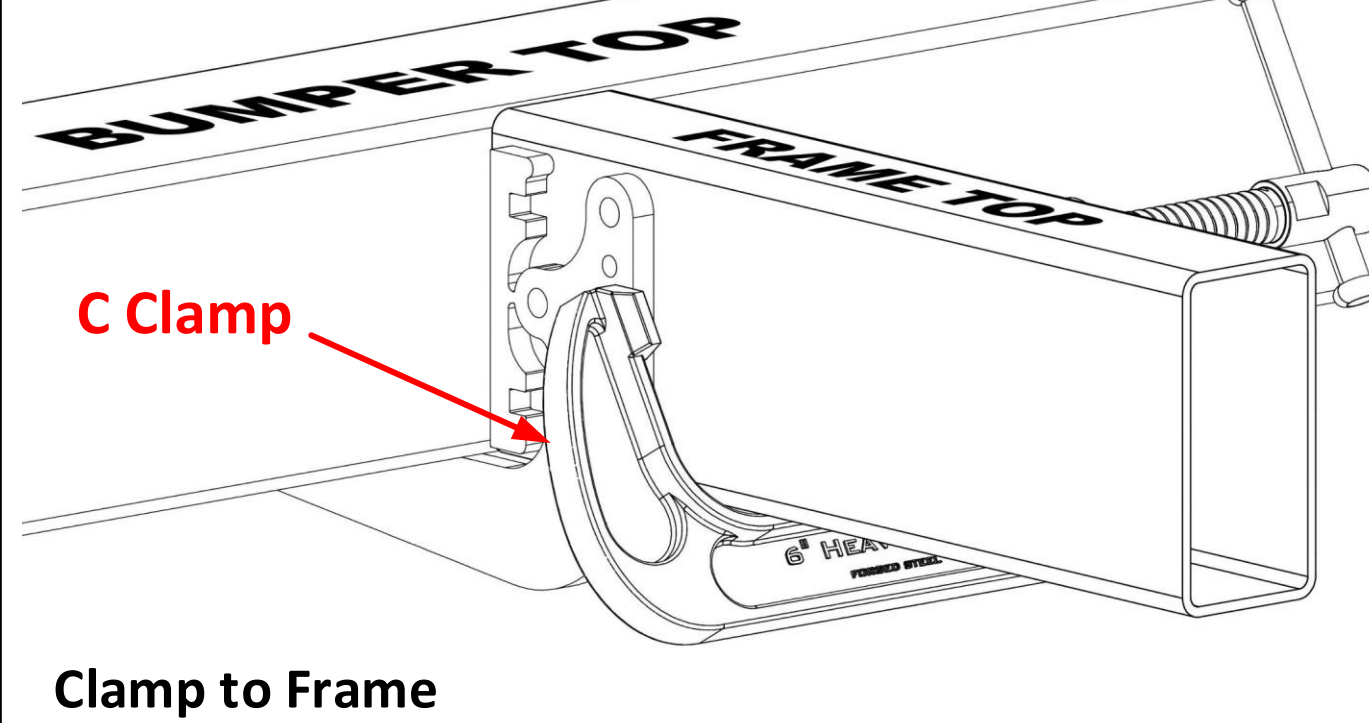


## MOUNTING: Select Configuration

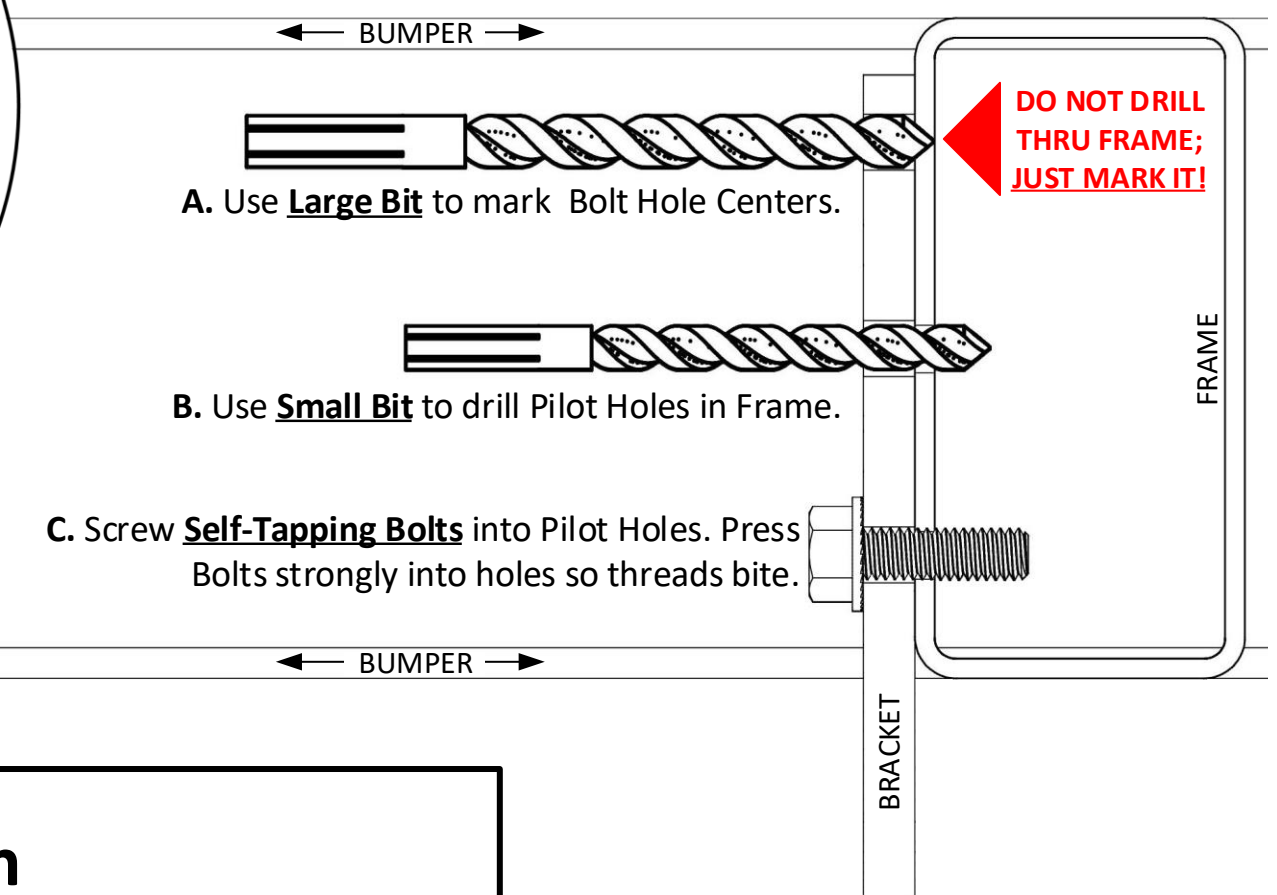


## CLAMPING: Determine Best Method (Use Both if Possible)



## MARKING AND DRILLING HOLES: Use Oil and Drill Slowly to Keep Drill Tips Cool and Sharp!

## To Install Using SELF-TAPPING Bolts



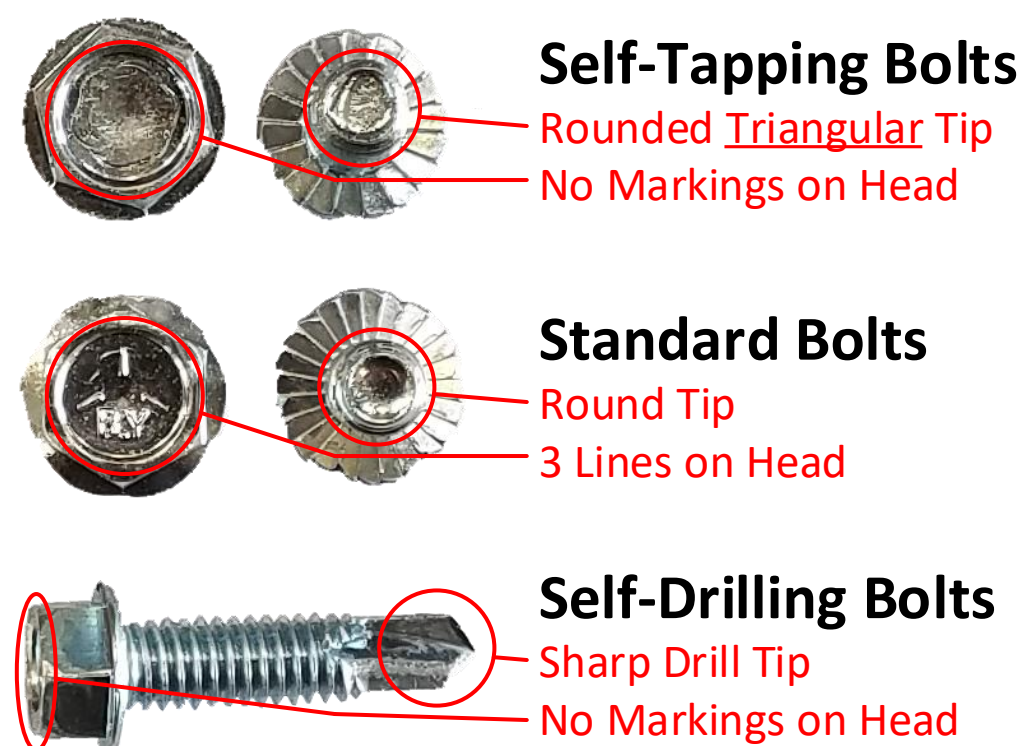
## OTHER INFORMATION

### Bumper Preloading

Recommended, optional step that can be used to square-up out-of-square or drooping bumpers.

See Image 1 at left. Mount SafetyStruts™ bracket using only Mounting Hole 1; *do not drill other holes yet*. Position a jack under the Jack Knob as indicated by the blue arrow at left and jack up the SafetyStruts™ bracket until the bumper seats itself in the bracket. Drill Mounting Holes 2 and 3, insert and tighten all fasteners. Remove jack once all fasteners have been tightened.

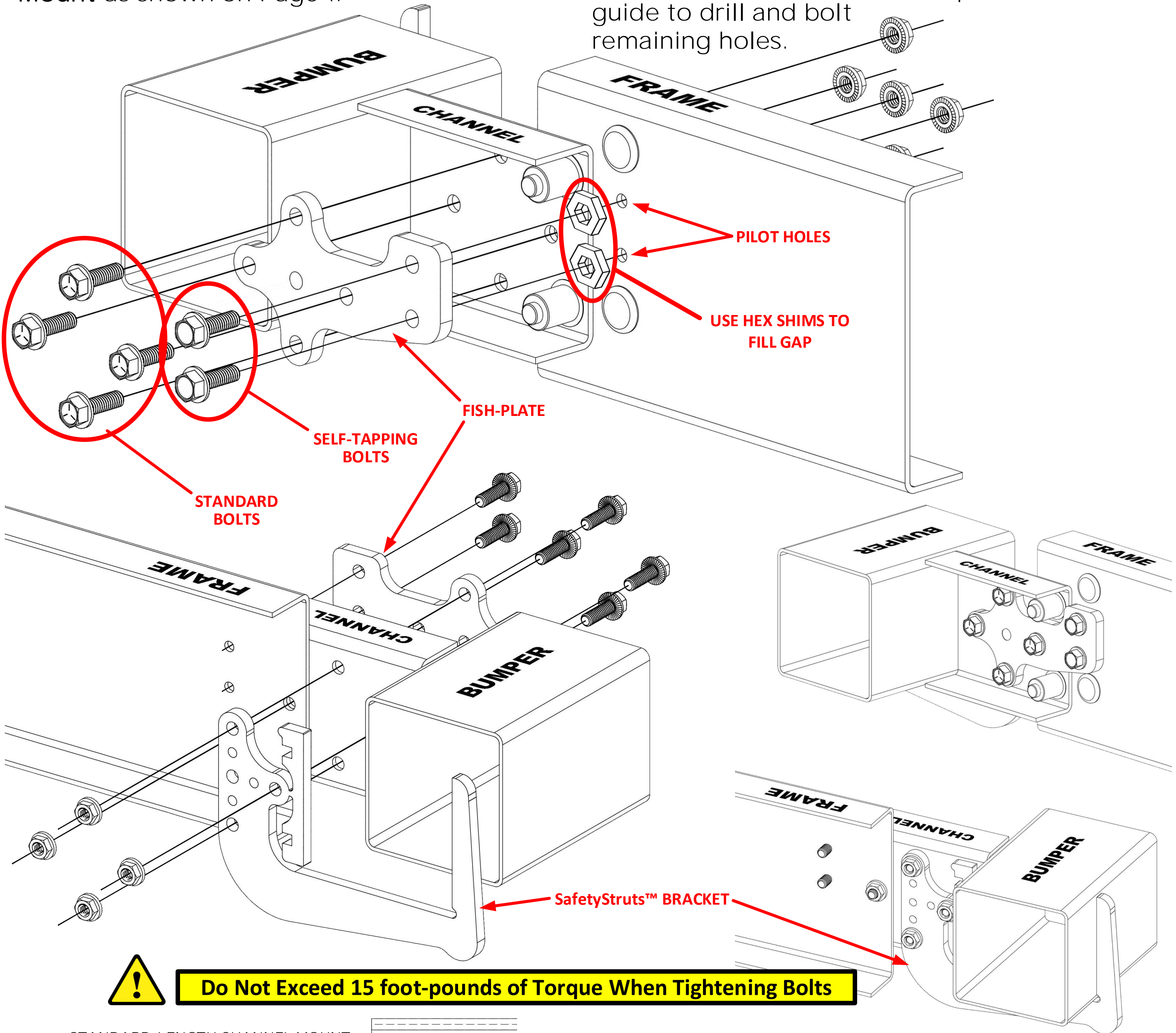
### Bolt Identification



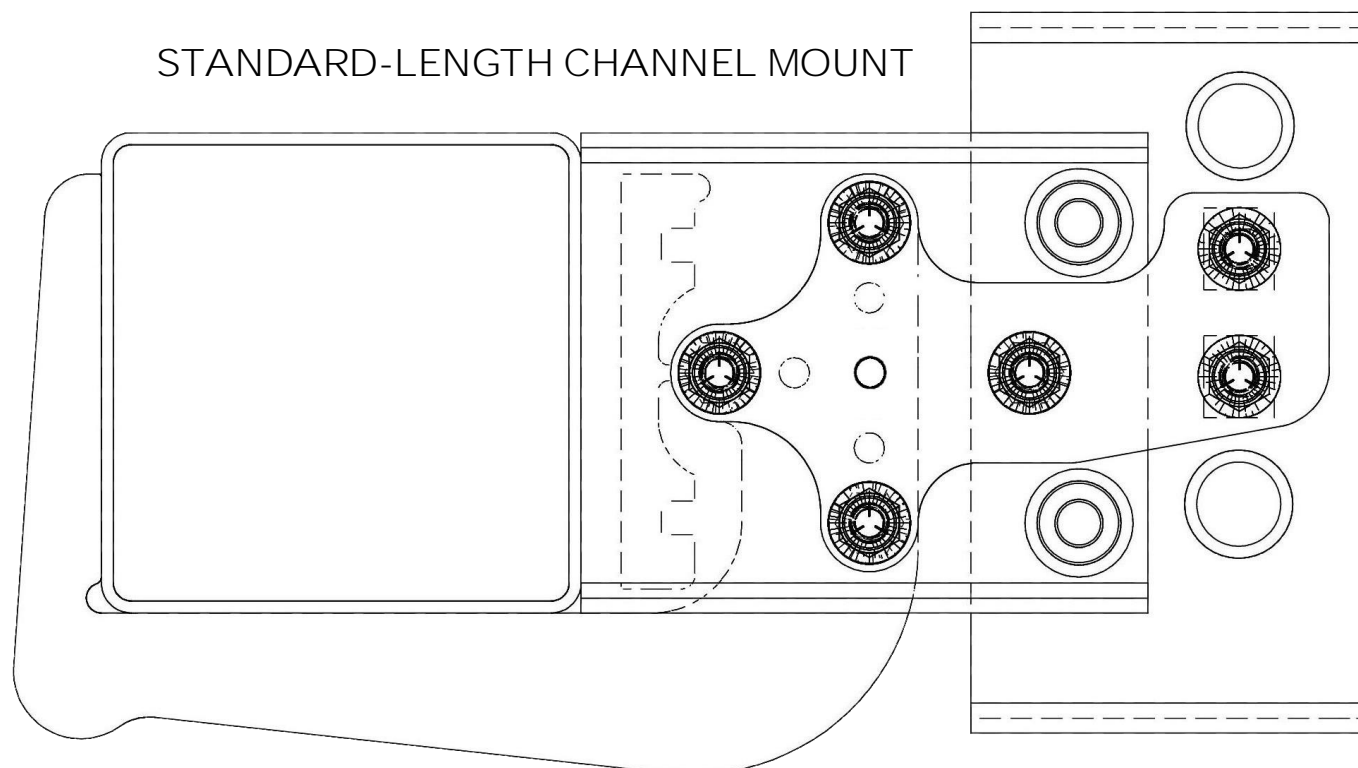


**STEP 1:** Install SafetyStruts® Brackets to flat side of Channel using **Standard Mount** as shown on Page 1.

**STEP 2:** Bolt Fish-Plate to SafetyStruts® Bracket, sandwiching Channel between the two. With Fish-Plate bolted in place, use it as guide to drill and bolt remaining holes.



STANDARD-LENGTH CHANNEL MOUNT



LONGER-LENGTH CHANNEL MOUNT

