



Mount-n-Lock® GennyGo® RevX2 StowaTray™
 Stowable Hitch-Mounted Cargo Carrier
 Visit www.mount-n-lock.com/installs for
 full-size instructions and videos.



GENNYGO
 GENERATOR & CARGO CARRIERS

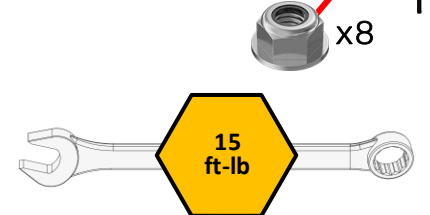
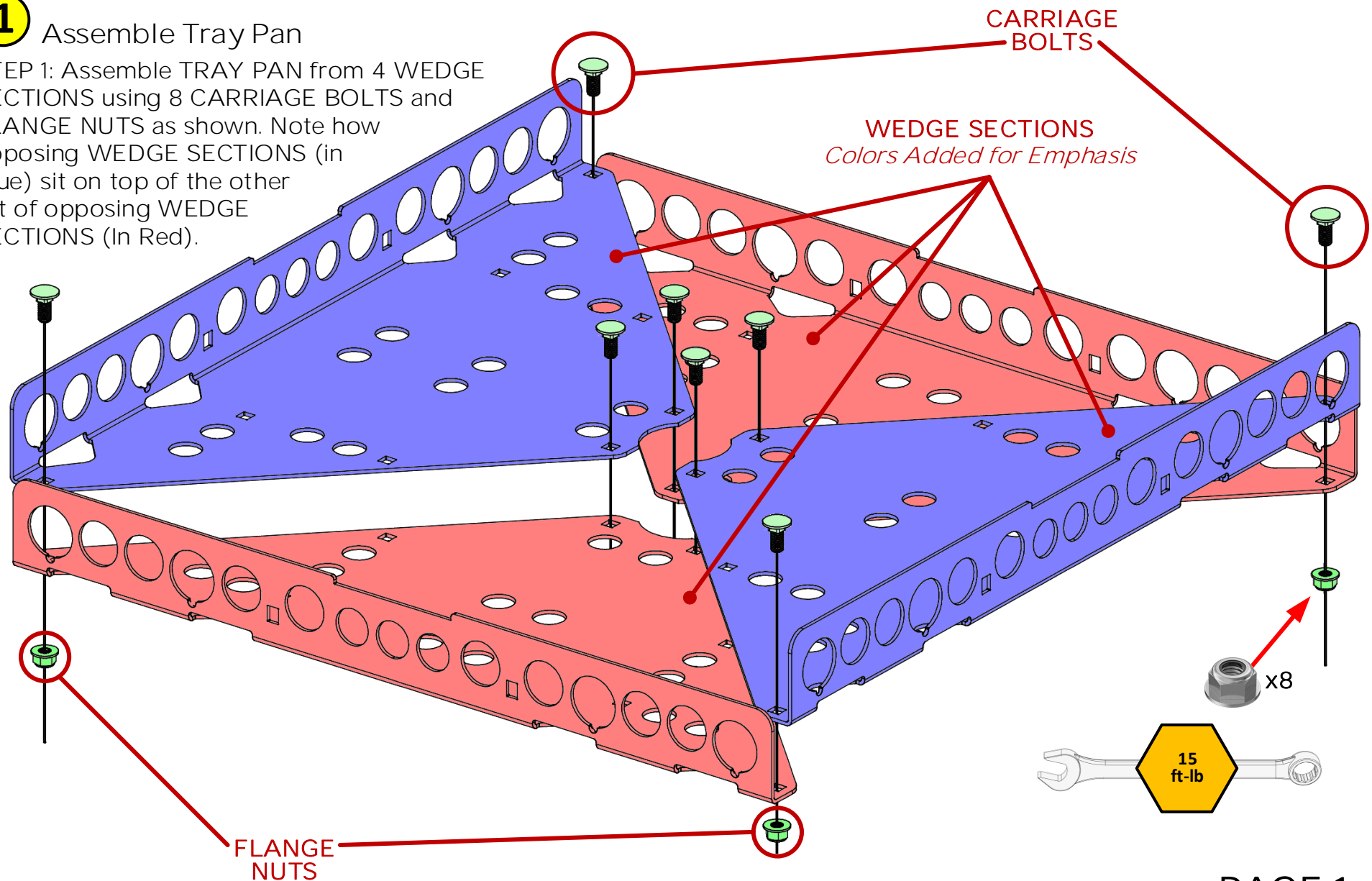
Proudly Made in the USA

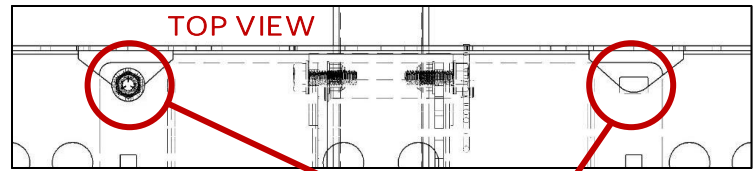
Mount-n-Lock® GennyGo® RevX2 StowaTray™
 Stowable Hitch-Mounted Cargo Carrier

MnL
 Mount-n-Lock
 SAFE SMART
 RV CARGO

1 Assemble Tray Pan

STEP 1: Assemble TRAY PAN from 4 WEDGE SECTIONS using 8 CARRIAGE BOLTS and FLANGE NUTS as shown. Note how opposing WEDGE SECTIONS (in Blue) sit on top of the other set of opposing WEDGE SECTIONS (In Red).

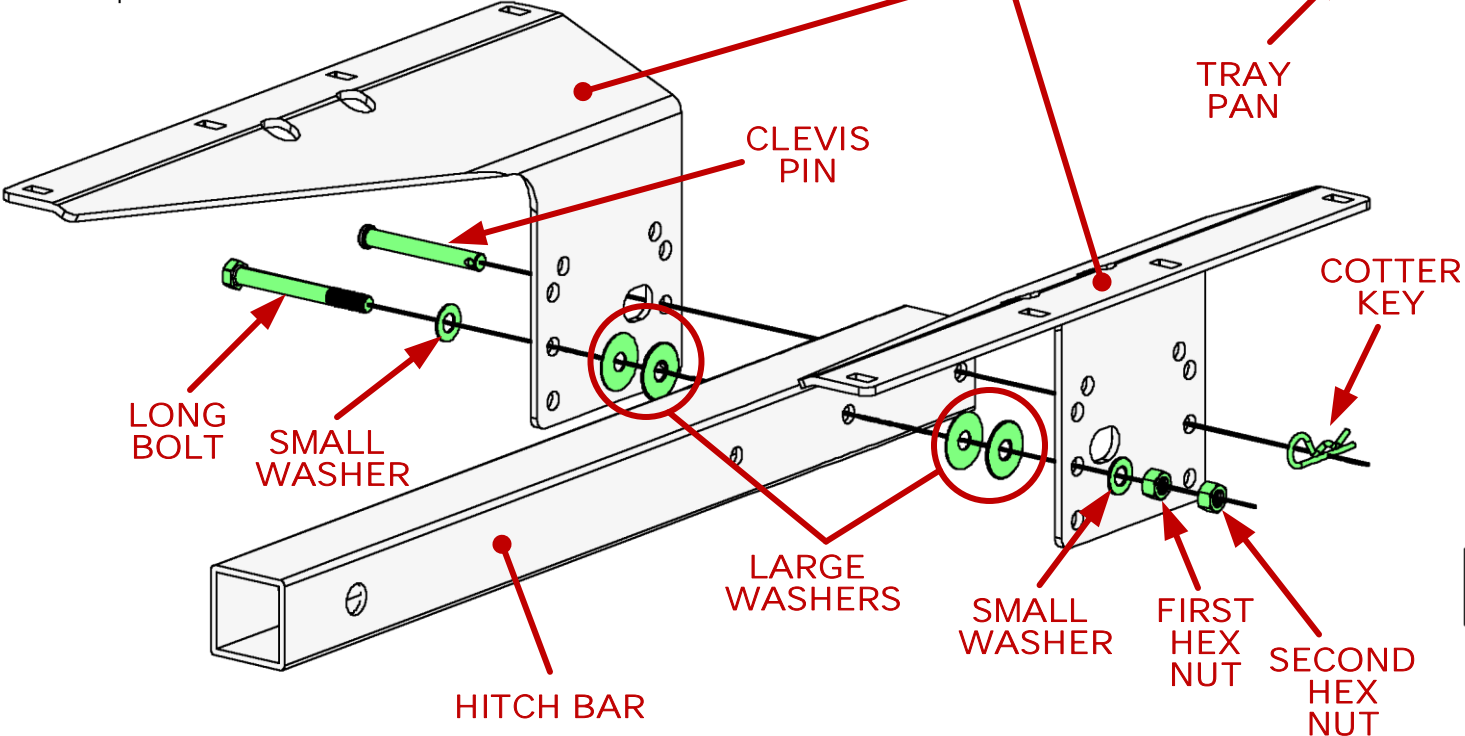




2 Construct SUPPORT ASSEMBLY

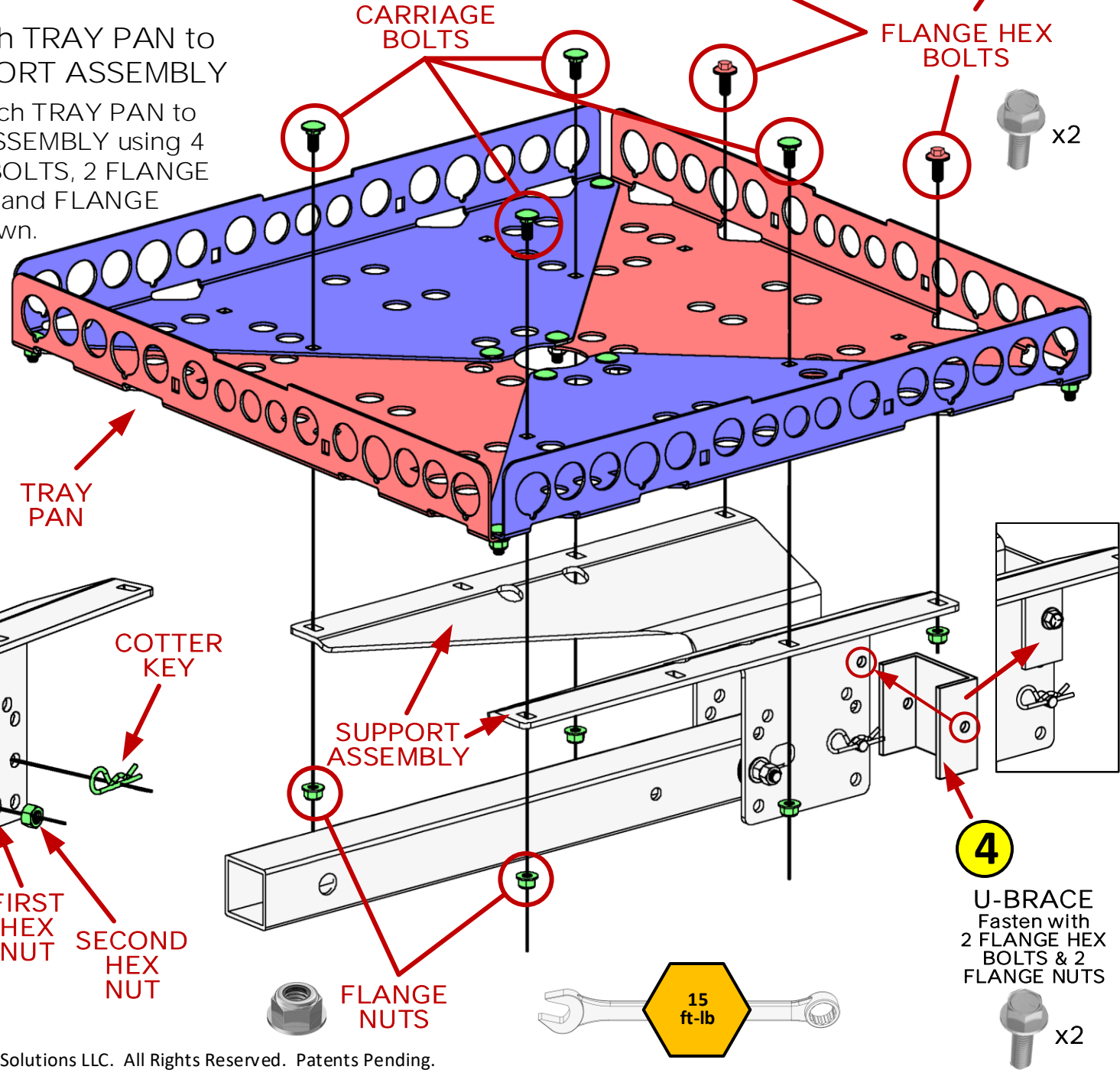
STEP 2: Construct SUPPORT ASSEMBLY from 1 HITCH BAR and 2 SUPPORT HALVES using 1 LONG BOLT, 2 HEX NUTS, 2 SMALL WASHERS, and 4 LARGE WASHERS & 1 CLEVIS PIN and COTTER KEY as shown below.

NOTE: Tighten FIRST HEX NUT until SUPPORT HALVES are snug against HITCH BAR but *not so tight* that HITCH BAR cannot rotate around BOLT. Then, tighten SECOND HEX NUT against FIRST HEX NUT to lock in place.



3 Attach TRAY PAN to SUPPORT ASSEMBLY

STEP 3: Attach TRAY PAN to SUPPORT ASSEMBLY using 4 CARRIAGE BOLTS, 2 FLANGE HEX BOLTS, and FLANGE NUTS as shown.



4 U-BRACE
Fasten with
2 FLANGE HEX
BOLTS & 2
FLANGE NUTS