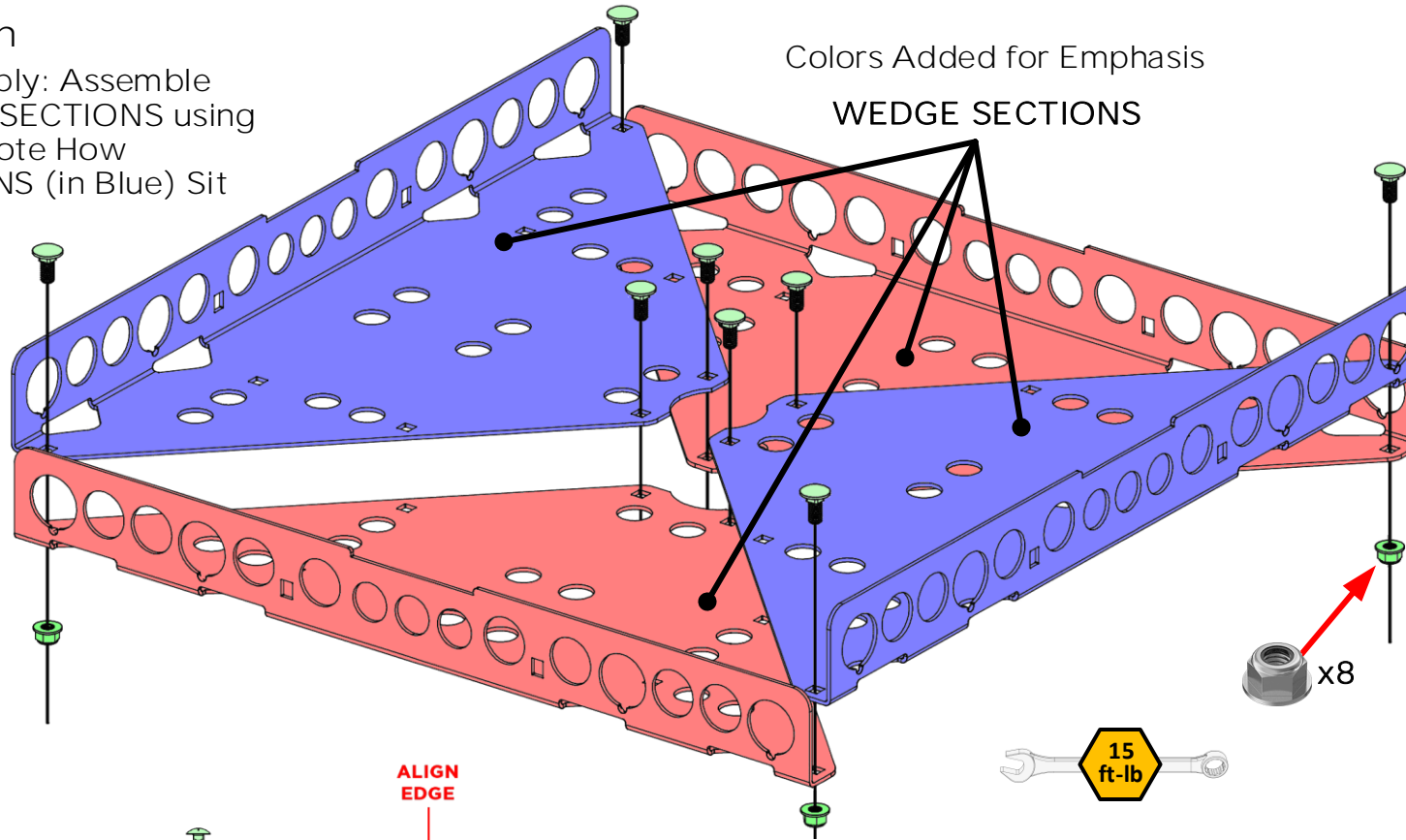


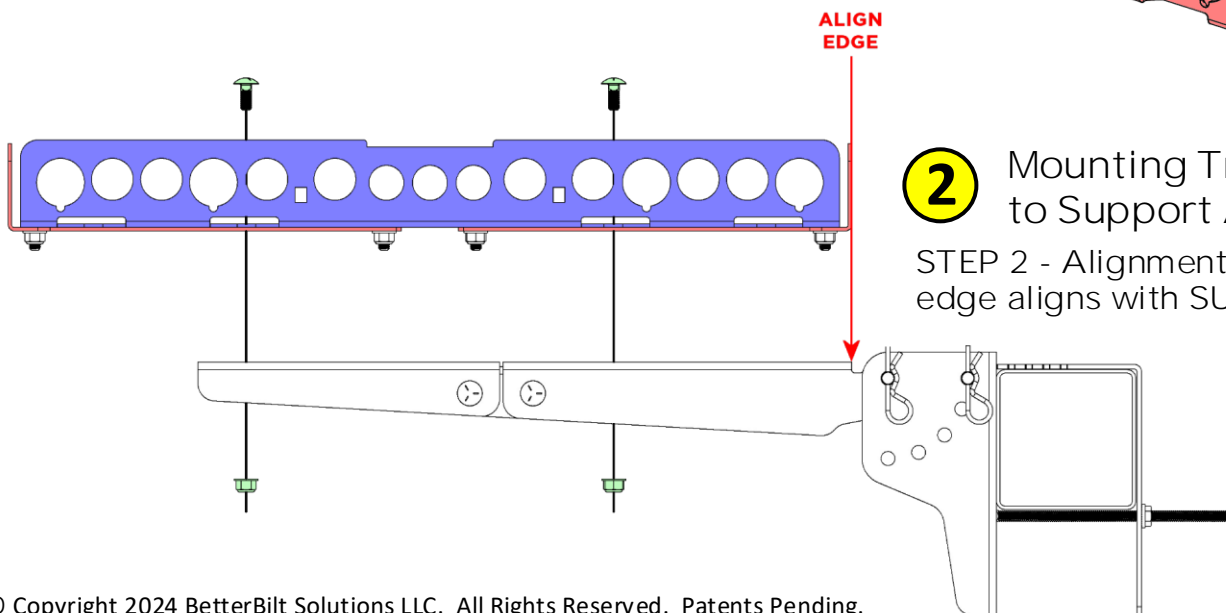
1 Assemble Tray Pan

STEP 1 - TRAY PAN Assembly: Assemble TRAY PAN from 4 WEDGE SECTIONS using 8 Nuts & Bolts as Shown. Note How Opposing WEDGE SECTIONS (in Blue) Sit On Top of the Other Set of Opposing WEDGE SECTIONS (In Red).



2 Mounting Tray Pan to Support Arms - Alignment

STEP 2 - Alignment: Note how TRAY PAN edge aligns with SUPPORT ARMS.



GENNYGO
GENERATOR & CARGO CARRIERS

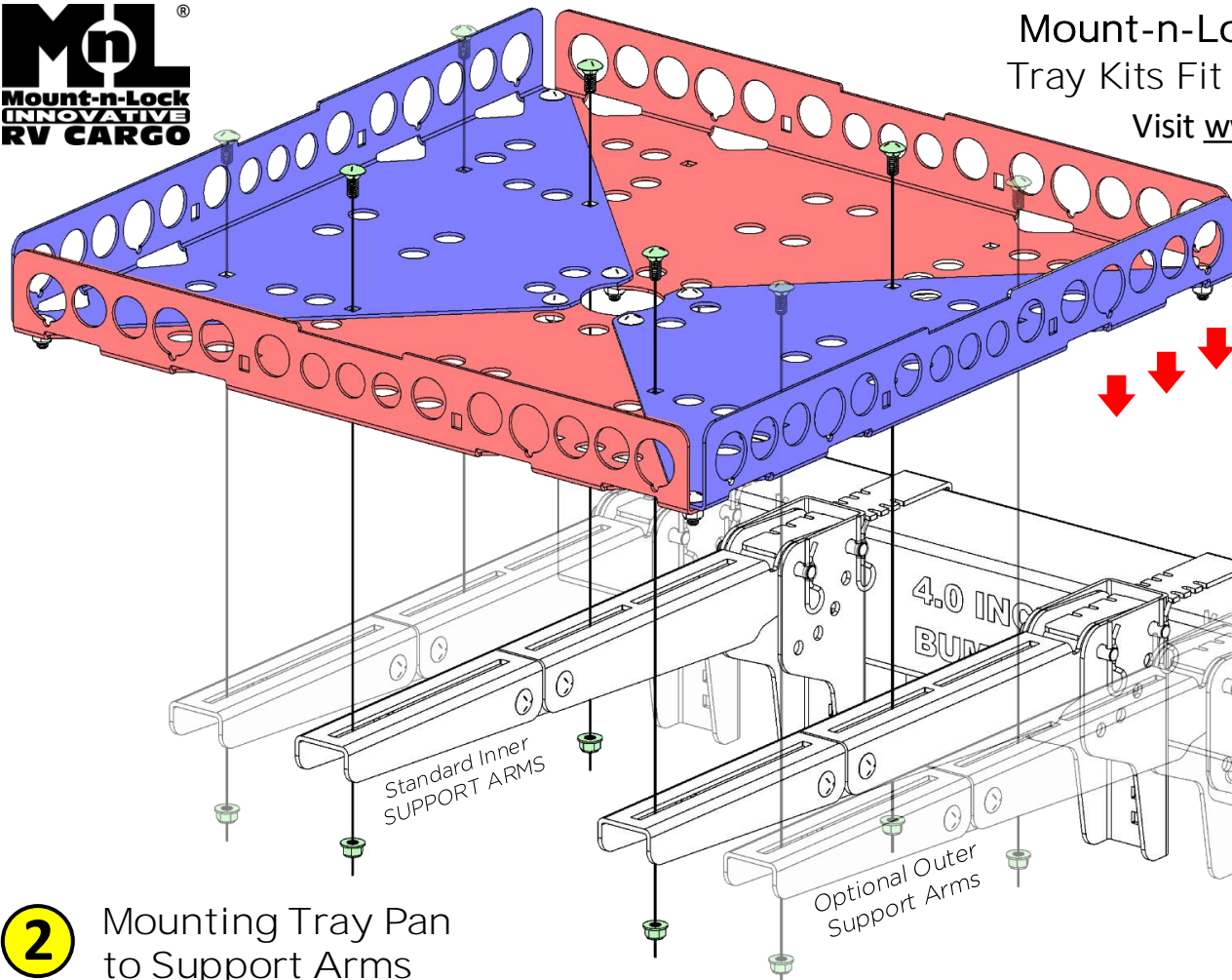
Proudly Made in the USA

Haul It All!

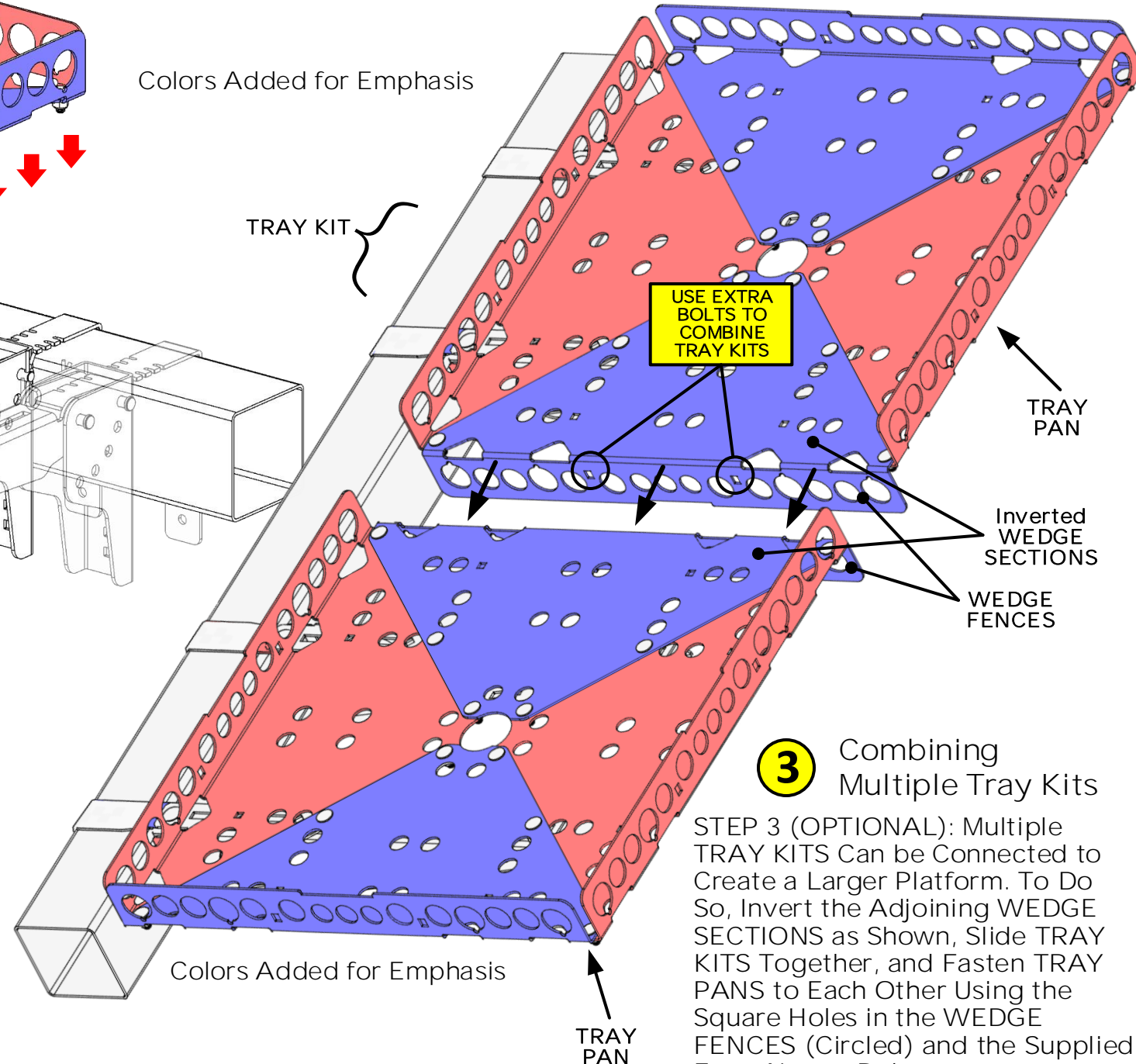
MP
Mount-n-Lock
INNOVATIVE
RV CARGO

Use For Items:
GGPA
GGPS
F2KH2424
F4KH2424
F2KS2424
F4KS2424

**TRAY PAN/TRAY KIT
ASSEMBLY GUIDE**



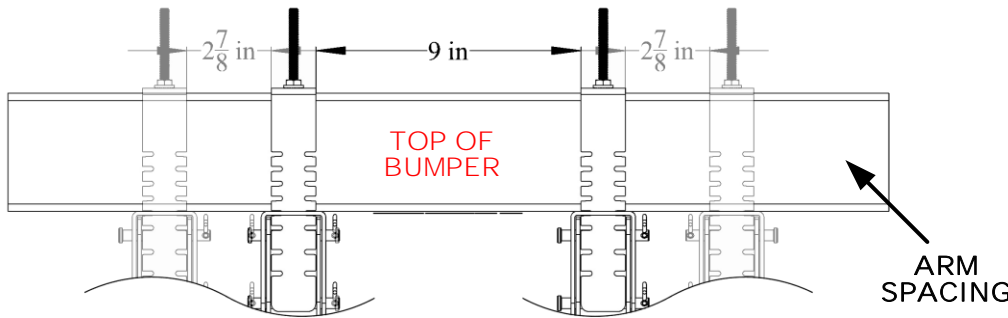
Colors Added for Emphasis



2

Mounting Tray Pan to Support Arms

STEP 2: After Assembling and Mounting the SUPPORT ARMS to Your BUMPER as Shown in Separate "Support Arms Assembly Guide" Document, You Will Mate the TRAY PAN From Step 1 to the SUPPORT ARMS using either 2 Nuts & Bolts per SUPPORT ARM.



3

Combining Multiple Tray Kits

STEP 3 (OPTIONAL): Multiple TRAY KITS Can be Connected to Create a Larger Platform. To Do So, Invert the Adjoining WEDGE SECTIONS as Shown, Slide TRAY KITS Together, and Fasten TRAY PANS to Each Other Using the Square Holes in the WEDGE FENCES (Circled) and the Supplied Extra Nuts & Bolts.