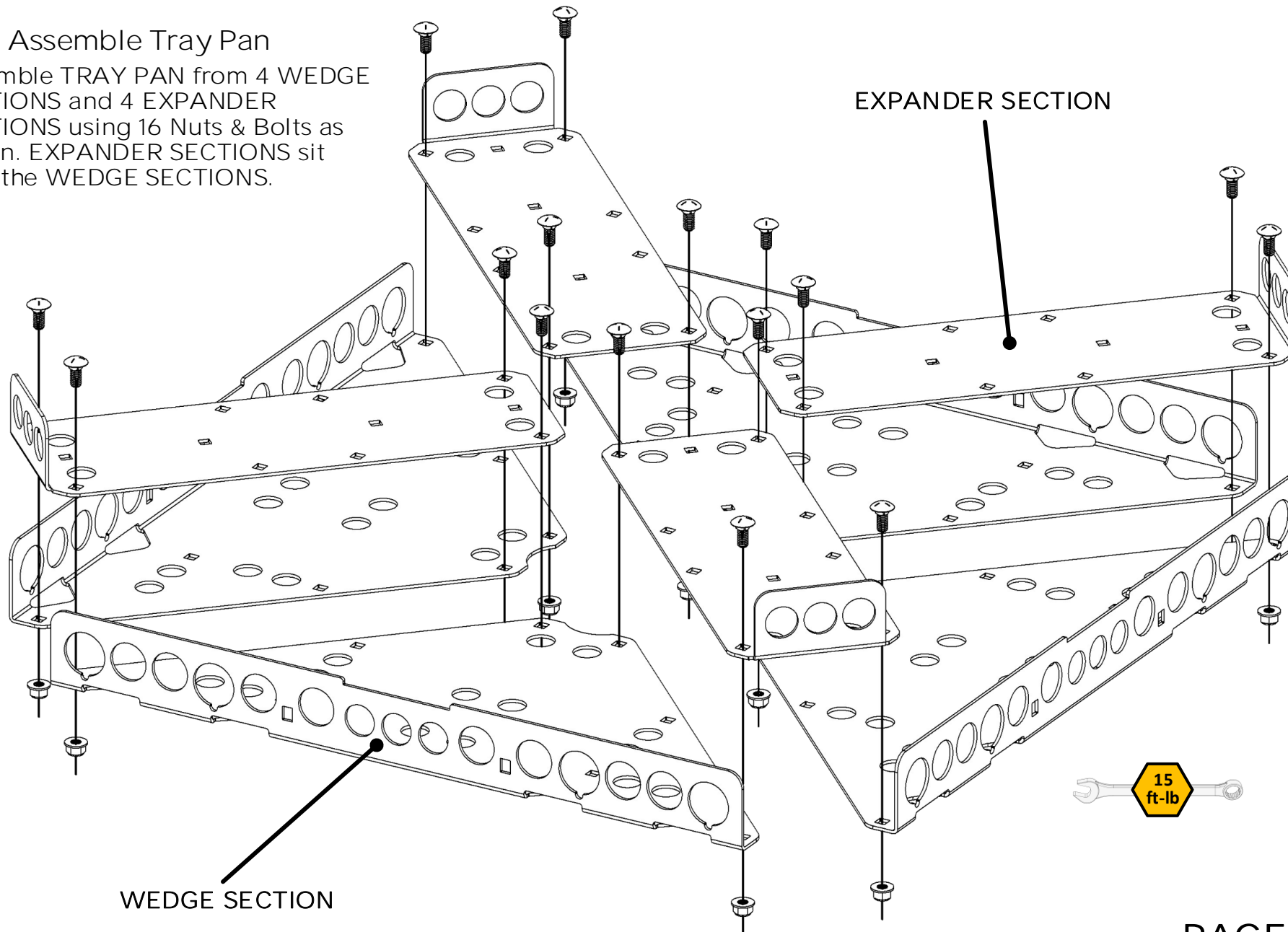
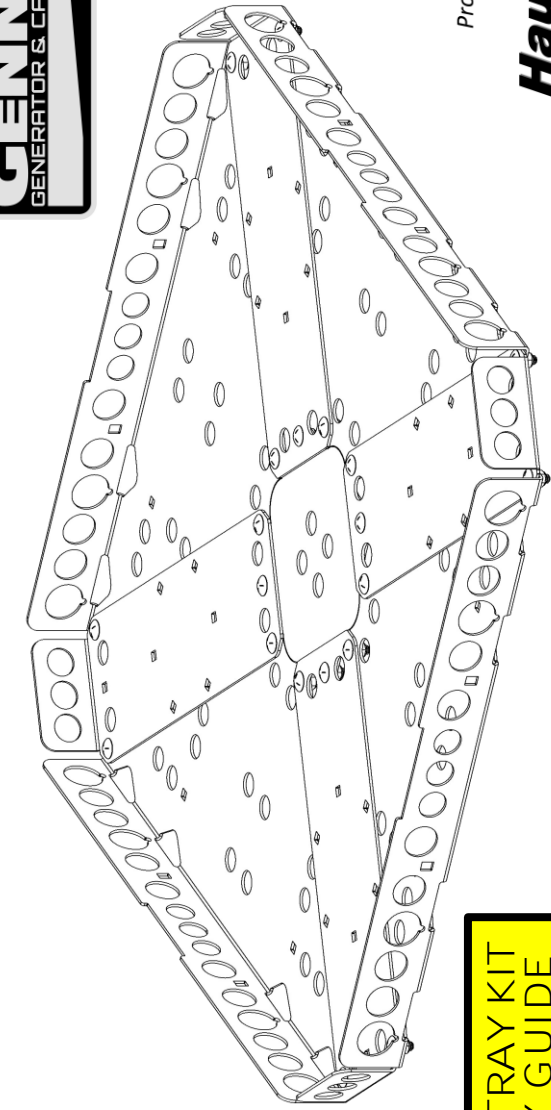


1 Assemble Tray Pan

Assemble TRAY PAN from 4 WEDGE SECTIONS and 4 EXPANDER SECTIONS using 16 Nuts & Bolts as shown. EXPANDER SECTIONS sit atop the WEDGE SECTIONS.



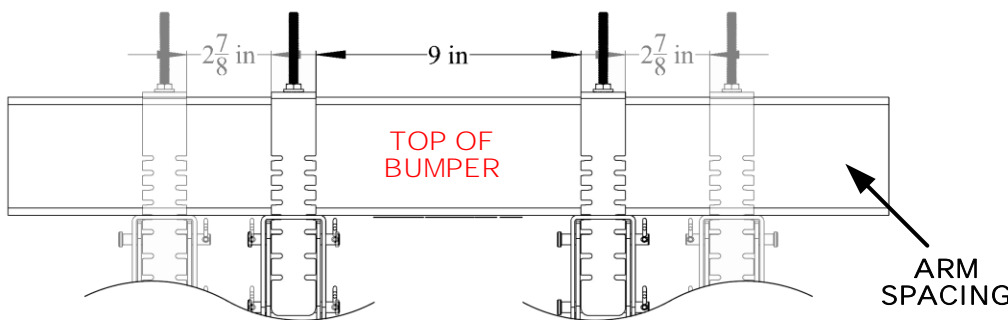
Use For Items:
GGPS3030
GGKS3030
GHKS3030



2

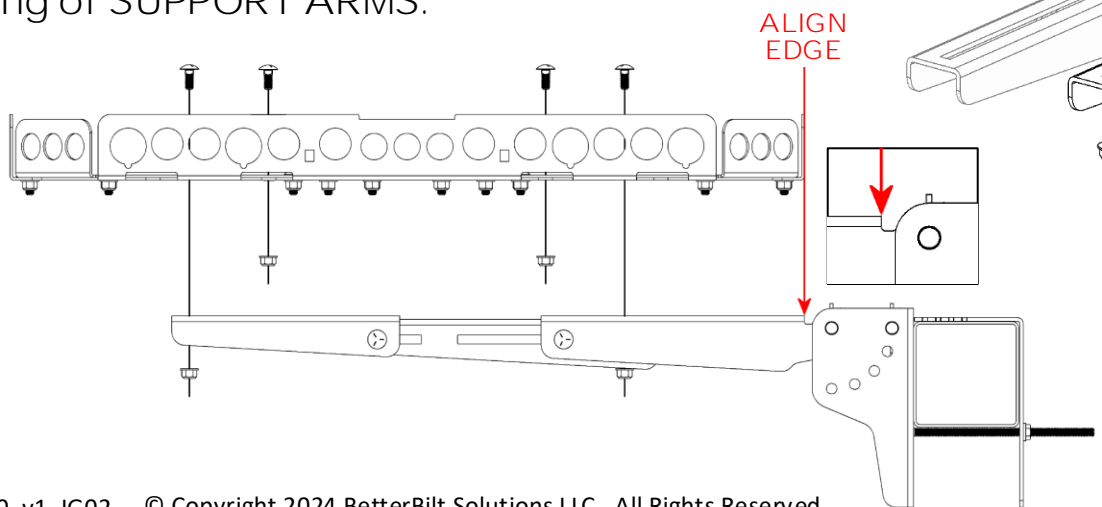
Optional: Add CENTER PLATE to TRAY PAN

CENTER PLATE



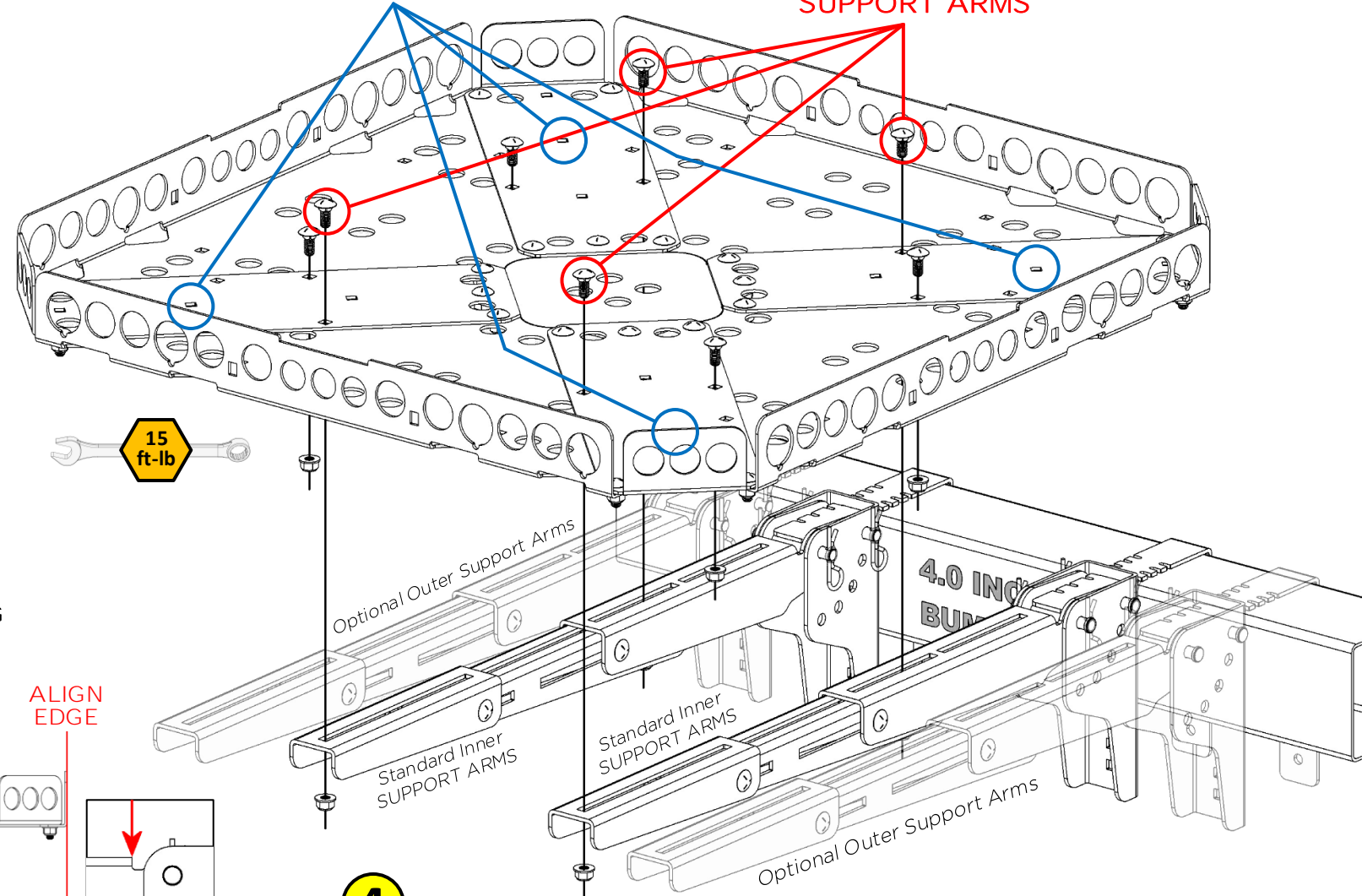
3

Set Spacing of SUPPORT ARMS.



Use These Holes for Optional Outer SUPPORT ARMS

These Bolt to Standard Inner SUPPORT ARMS



4

Align Edge & Attach TRAY PAN to SUPPORT ARMS
 Attach TRAY PAN to Standard Inner SUPPORT ARMS using 4 NUTS & BOLTS. Use an additional 4 NUTS & BOLTS to fasten EXPANDER SECTIONS to WEDGE SECTIONS as shown. Attach TRAY PAN to Optional Outer SUPPORT ARMS using indicated holes and an additional 4 NUTS & BOLTS.