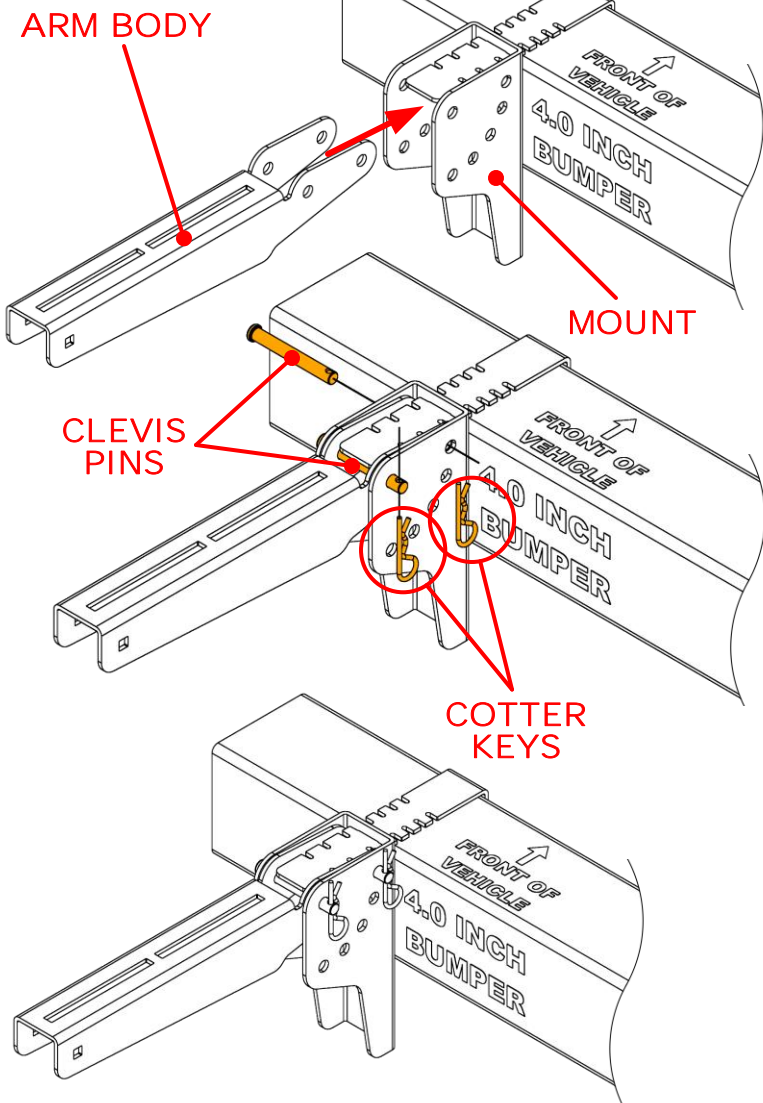


GennyGo® RevX3 RV Bumper-Mounted Folding Adjustable Steel Cargo Support for Box or Tray

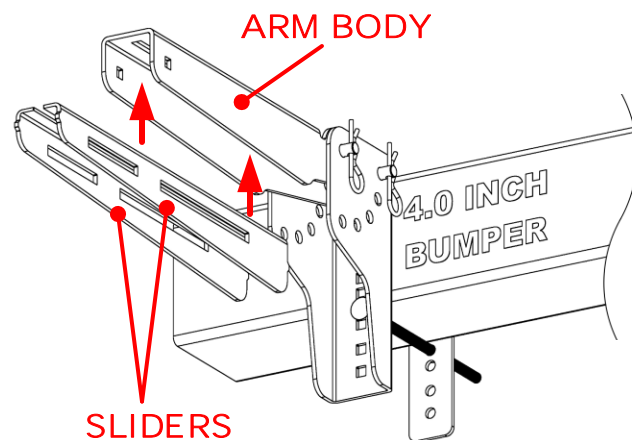
Visit www.mount-n-lock.com/installs for full-size instructions and videos.

7 Attach ARM BODY to MOUNT

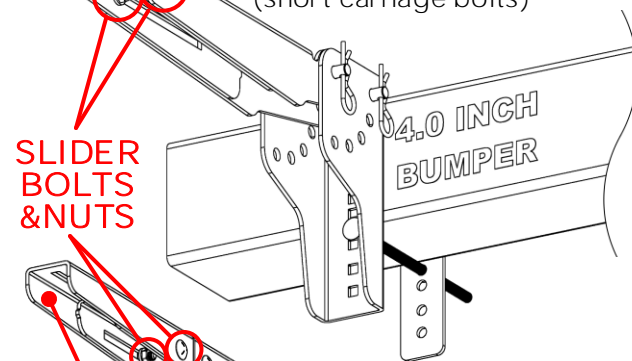
Use two CLEVIS PINS and COTTER KEYS to attach ARM BODY to MOUNT.



8 Attach SLIDERS and ARM EXTENSION to ARM BODY



Attach SLIDERS to ARM BODY using SLIDER BOLTS & NUTS (short carriage bolts)

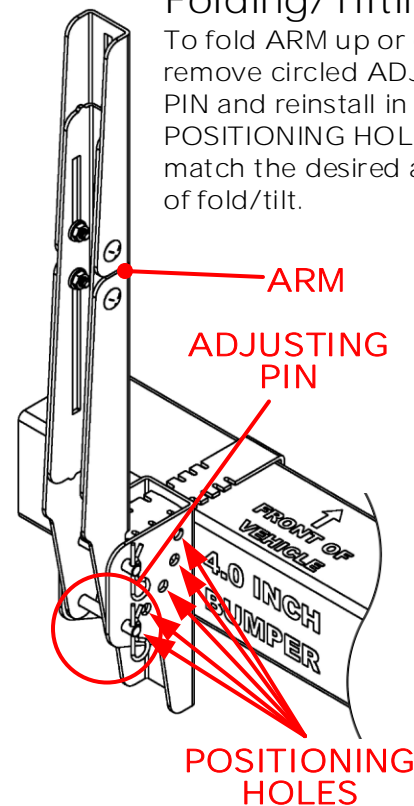


ARM EXTENSION

Attach ARM EXTENSION to SLIDERS using SLIDER BOLTS & NUTS

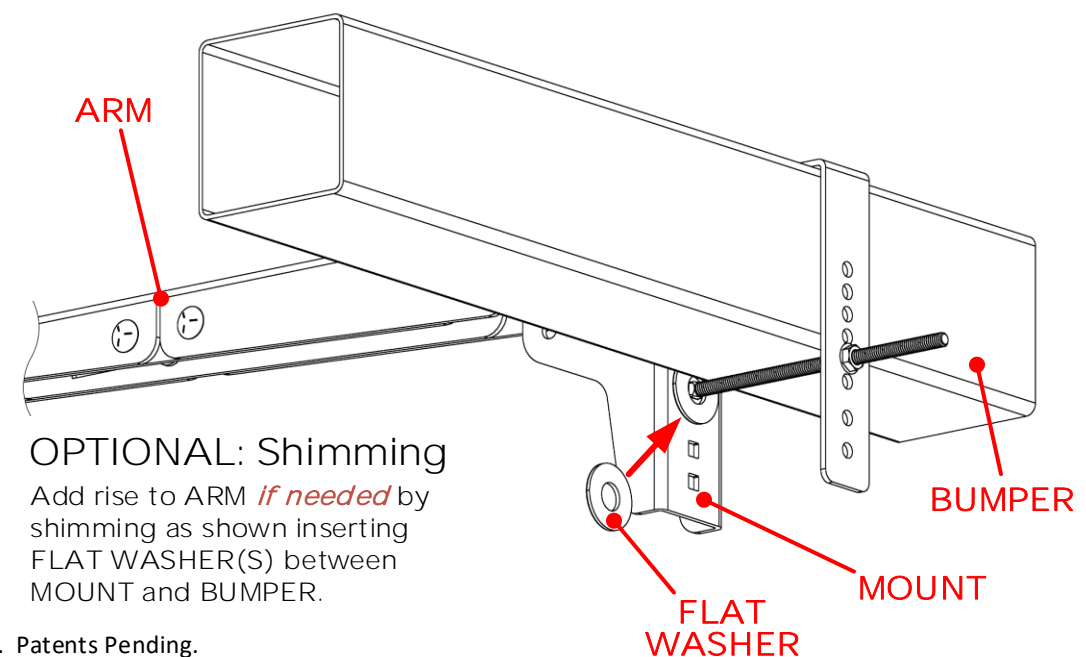
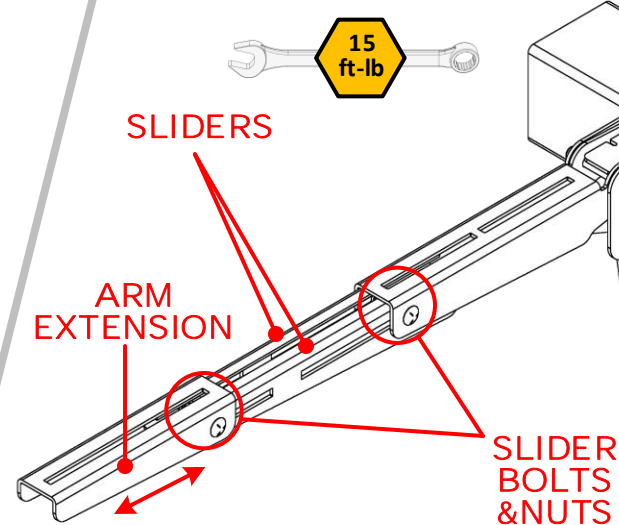
Folding/Tilting

To fold ARM up or down, remove circled ADJUSTING PIN and reinstall in one of 5 POSITIONING HOLES to match the desired amount of fold/tilt.



Adjusting ARM Length

To adjust ARM length, loosen SLIDER BOLTS & NUTS, slide ARM EXTENSION in or out, and retighten SLIDER BOLTS & NUTS.



OPTIONAL: Shimming

Add rise to ARM *if needed* by shimming as shown inserting FLAT WASHER(S) between MOUNT and BUMPER.